

1x2 HDMI Distribution Amplifier

Operation Manual

CHDMI-2



Introduction

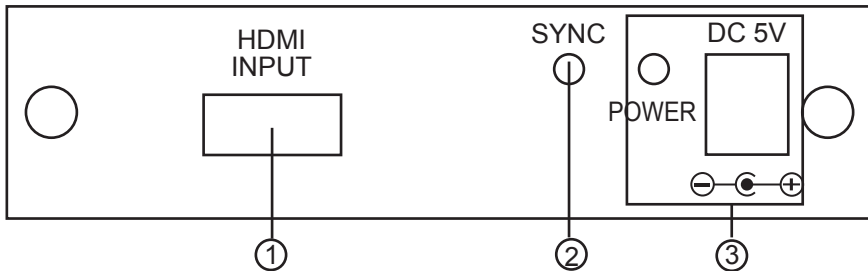
Cypress CHDMI-2 is a high performance HDMI distribution amplifier. It allows one HDMI source to connect up to 2 HDMI displays simultaneously.

Features

1. Built-in EDID simulator and HDCP keyset allows each output to work independently when connecting to a HDMI display.
2. Splits a HDMI source up to 2 outputs without signal loss.
3. Supports DVI source and DVI display by using HDMI to/from DVI adaptor cable.
- 4 Supports a wide range of PC and HDTV resolutions-from VGA to UXGA and 480p to 1080p. Maximum resolution bandwidth-1.65MHz.
5. Can be cascaded up to a minimum of 3 layers,or more depending on your cable quality.
6. Each of the buffered output can run up to 15 meters@1600x1200.

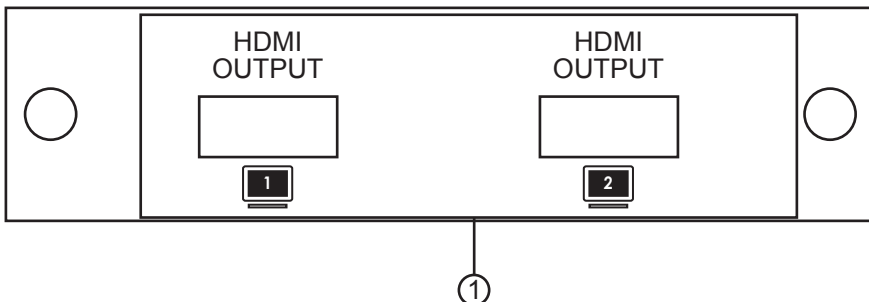
Operation Controls and Functions

Front Panel



1. HDMI input: Connect to the HDMI or DVI output of your source equipment such as DVD player or set-top-box.
2. Sync LED: The led will illuminate when the HDMI source signal is connected to the input.
3. Power input: Plug the supplied 5VDC power supply into the unit. The LED will illuminate when connected.

Rear Panel



1. HDMI output 1/2 : Connect each of these output ports to the HDMI input of a HDMI display.

Specifications:

- **Frequency bandwidth:** 1.65Gbps(single link)
- **Input/Output:**
1-in/2-out HDMI female port/Power consumption: 6W Max
- **5VDC universal power supply**
- **Operating temperature range:** 0° ~ 70° C
- **Operating humidity range:** 30 to 80% RH
- **Dimensions:** 102(W) x92(D) x 25(H)mm
- **Weight:** 220g

Connection and Installation

