

2x10 HDMI Splitter

Operation Manual

CHDMI-210T



1. Introduction

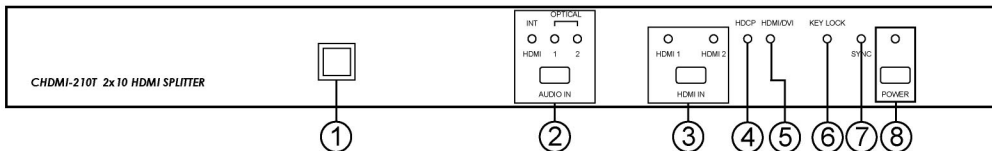
Cypress CHDMI-210T is a high performance 2 input-10 output HDMI splitter with separate optical audio and remote control. It allows you to connect up to 2 HDMI source and 10 HDMI displays. The 10 HDMI outputs are identical.

2. Features

1. Two HDMI sources to connect up to 10 HDMI displays simultaneously
2. HDCP keysets allows each output to work independently when connecting to a HDMI display.
3. Splits a HDMI source up to 10 outputs without signal loss.
4. Supports DVI source and DVI display by using HDMI to/from DVI adaptor cable.
5. Supports a wide range of PC and HDTV resolutions from VGA to UXGA and 480p to 1080p. Maximum resolution bandwidth 1.65GHz.
6. Can be cascaded for more outputs
7. Each of the buffered output can run up to 20 Meters @1600x1200.
8. Support multi channel audio.
9. Full HDCP Compliant.
10. Separate toslink output.

3. Operation Controls and Functions

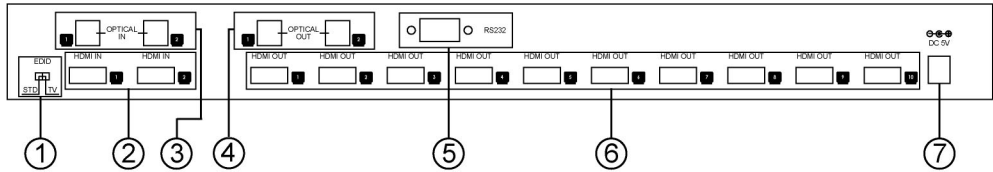
Front Panel



1. Remote Control Sensor.
2. AUDIO IN Select/Indicator:
Press the "AUDIO IN" button sequentially to switch to your desired input audio source (HDMI, OPTICAL 1 and OPTICAL 2), the LED will illuminate to indicate which input source is selected.
3. HDMI IN Select/Indicator:
Press the "HDMI IN" button sequentially to switch to your desired input audio/video source (HDMI 1 and HDMI 2), the LED will illuminate to indicate which input source is selected.
4. HDCP Indicator:
The LED will illuminate when the selected HDMI input source is HDCP-protected.
5. HDMI/DVI Indicator: The LED will illuminate when the selected HDMI input source is originally from an HDMI output, the LED will not illuminate when the selected HDMI input source is originally from a DVI output.
6. SYNC Indicator:
The LED will illuminate when the selected HDMI IN connects to an HDMI or DVI output correctly.
7. Key Lock:
Press and hold the "POWER" button for 5 seconds will enter the Key Lock mode, Key Lock LED will illuminate and all buttons will not function.
Press and hold the "POWER" button for 5 seconds again to disable the Key Lock mode.
8. POWER Switch/Indicator:
Press the "POWER" button to turn on/off the power, the LED will illuminate when the power is turned on.

3. Operation Controls and Functions

Real Cable



1. EDID Control Jumper:

Default factory setting is TV, leave as is if the display is properly. Switch to STD if the display has problems.

2. HDMI Inputs 1 and 2:

Connect each of the input ports to the HDMI or DVI output of your source equipment such as DVD player or set-top-box.

3. OPTICAL inputs 1 and 2:

Connect each of the input ports to the audio output of your source equipment such as DVD player or amplifier, using Toslink (optical fiber) cable.

4. OPTICAL Outputs 1 and 2: Connect each of the output ports to the audio equipment such as amplifier using Toslink (optical fiber) cable. When both connected, the OPTICAL outputs 1 and 2 play identical audio signal simultaneously.

5. RS232:

9-pin D-Sub connector for connecting to your PC or other control console for remote control.

6. HDMI Outputs 1 to 10:

Connect each of the output ports to the HDMI display. When more than one output connected, the HDMI outputs play identical audio/video signal simultaneously.

7. Power:

Plug the 5V DC power supply into the CHDMI-210T and connect the adaptor to AC wall outlet.

4. Remote Control

1. POWER:

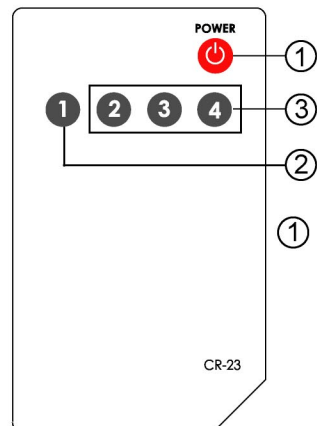
Press the button to turn on/off the unit.

2. Input Select for HDMI:

Press "1" button to switch the HDMI input between HDMI IN 1 and HDMI IN 2.

3. Input Select for AUDIO:

Press "2" button to select HDMI INT audio input, press "3" button to select OPTICAL 1 input, and press "4" button to select OPTICAL 2 input.



5. Specifications

- Frequency bandwidth: 1.65Gbps(single link)
- Inputs: - 2x HDMI female ports (Type A connector)
 - 2x Optical audio input
- Output: - 10 x HDMI female port (signal link)
 - 2 x Optical audio output
- Power: 5VDC universal power supply

6. Connection and Installation

